

Brief Introduction

The H2S sensor with the model of FC-H2S-2 from ProSense works on the proven fuel cell technology and responds directly to the volume concentration of H2S. FC-H2S-2 realizes the detection of H2S by the reaction occurred on the working electrode of the micro fuel cell, during which the current generated is proportional to the concentration of H2S. FC-H2S-2 has the typical advantages of high stability, high accuracy, good selectivity and long service life.



Feature

- *0 power consumption
- *High precision
- *Good selectivity
- *High performance/cost ratio
- *Wide linear range
- *Fast response
- *Excellent repeatability and stability

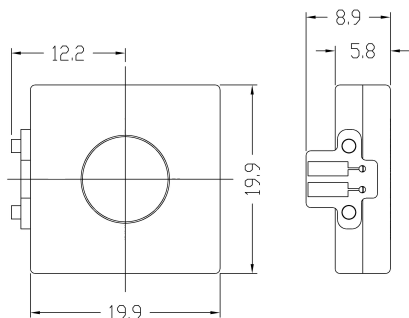
Application

- Smart Toilets
- Portable devices
- Wearable devices
- Aquatic farm
- Green building
- Smart home
-

Technical Specification

| Item | Technical Specification |
|--------------------|-------------------------|
| Principle | Micro Fuel Cell |
| Range | 0-2ppm |
| Max Overload | 5ppm |
| Sensitivity | 100±50(nA/ppm) |
| Response Time(T90) | <15Sec |
| Resolution (20°C) | 0.001ppm |
| Repeatability | 3% |
| Linearity | linear |
| Temperature | -40°C~70°C |
| Pressure | 1atm±10% |
| Humidity | 10%—90% |
| Lifetime | 5years in air |
| Warranty Period | 12 months |
| Weight | 3g |

Dimensions



Notes: 1 All dimensions in mm

2 All tolerances $\pm 0.15\text{mm}$ unless otherwise stated

Precautions

- 1 .The sensor should be prevented from organic solvents or corrosive gases,especially alkaline gases.
- 2 .The sensor should not be stored in dusty, dirty areas and anaerobic environment
3. The sensor must not be exposed to very high concentration of the analyte permanently
- 4 .Excessive shock or vibration should be prevented to avoid internal damage
4. Disassemble of the sensor will result in warranty free.



普 | 晟 |
PROSENSE

ProSense Technologies Co., Ltd.

Add: Building4, Lianjian S&T Park, LonghuaDistrict,Shenzhen,China;

Tel: +86 755 3669 0079

Website:<http://www.szprosense.com>

Email: sales@szprosense.com