

Brief Introduction

The VOC sensor with the model of FC-VOC-5 from ProSense works on the proven fuel cell technology and responds directly to the volume concentration of VOC. FC-VOC-5 realizes the detection of VOC by the reaction occurred on the working electrode of the micro fuel cell, during which the current generated is proportional to the concentration of VOC. FC-VOC-5 has the typical advantages of high stability, good consistency, anti-poisoning and no need for zero compensation.



Feature

- *High stability
- *Good consistency
- *Long service life
- *No need for baseline correction
- *Strong anti-poisoning ability
- *No need for periodical calibration
-

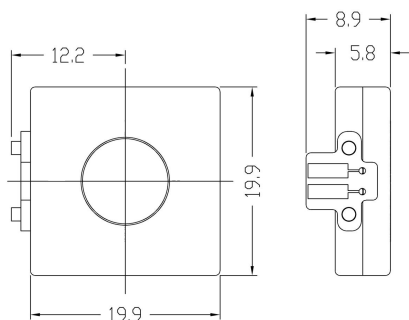
Application

- Air cleaners/fresh air system
- Air conditioners
- Indoor air quality monitoring
- Portable devices
- Smart home
-

Technical Specification

Item	Technical Specification
Principle	Micro Fuel Cell
Range	0-5ppm
Max Overload	10ppm
Sensitivity	200±100 (nA/ppm)
Response Time(T90)	<90Sec
Baseline (20℃)	±30ppb
Repeatability	2%
Linearity	linear
Temperature	-20℃~60℃
Pressure	1atm±10%
Humidity	15%—90% (non-condense)
Lifetime	5years in air
Warranty Period	12 months
Weight	3g

Dimensions



Notes: 1 All dimensions in mm

2 All tolerances $\pm 0.15\text{mm}$ unless otherwise stated

Precautions

- 1 .The sensor should be prevented from organic solvents or corrosive gases,especially alkaline gases.
- 2 .The sensor should not be stored in dusty, dirty areas and anaerobic environment
3. The sensor must not be exposed to very high concentration of the analyte permanently
- 4 .Excessive shock or vibration should be prevented to avoid internal damage
4. Disassemble of the sensor will result in warranty free.



普 | 晟 |
PRO SENSE

ProSense Technologies Co., Ltd.

Add: Building4, Lianjian S&T Park, LonghuaDistrict,Shenzhen,China;

Tel: +86 755 3669 0079

Website:<http://www.szprosense.com>

Email: sales@szprosense.com